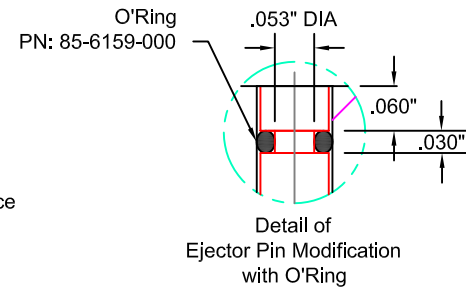
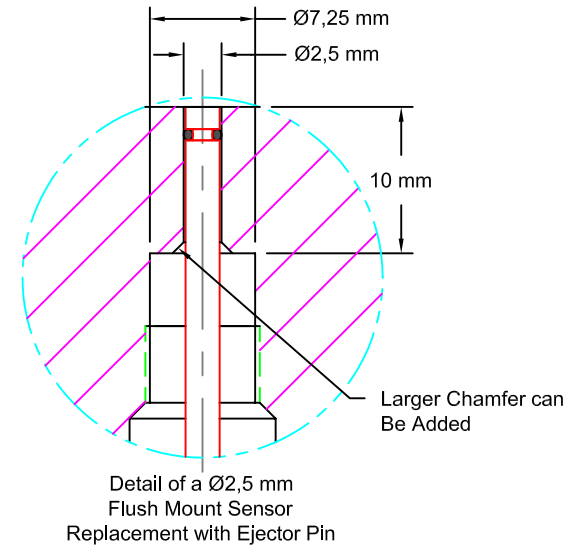
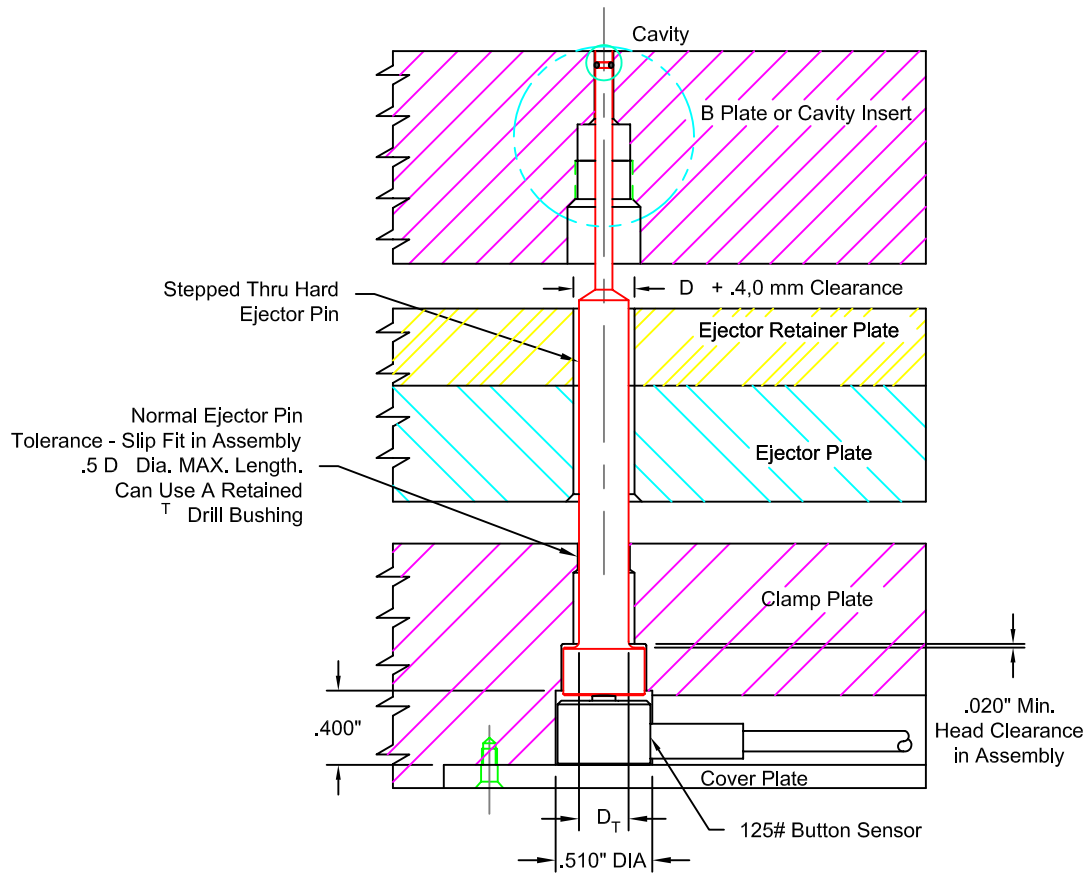


Extended Direct Installation Replacing 2-5 Flush Sensor

Let	Date	ECN/Revision	By
A	04/24/07	Change Format	JW



NOTE:

1. Cavity End of the Pin should be .010" longer than nominal for 1st trial & adjusted to obtain ejector pin flush location.



RJG, Inc.
 3111 Park Drive
 Traverse City, MI 49686
 231.947.3111

DESCRIPTION: Extended Direct Installation Replacing a Ø2,5 mm Flush Mount Sensor with an Ejector Pin Layout	
PART NO:	
DRAWING NO: Extended Direct Installation Replacing 2-5 Flush Sensor.dwg	
MAT'L: N/A	SCALE: 1:1
DESIGN: R Groleau	DRAWN: J Walters
CHECK:	DATE: 04/20/07